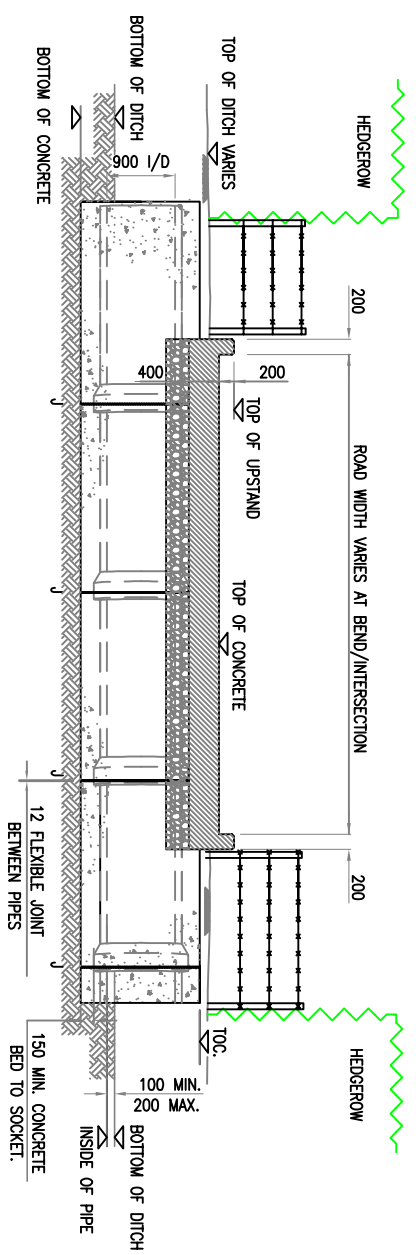
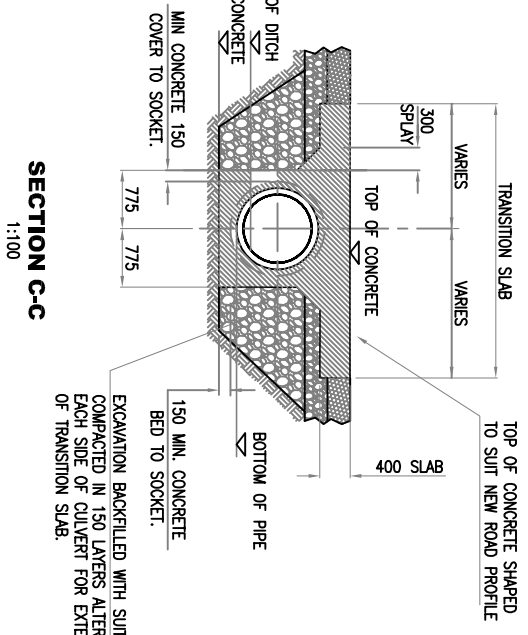


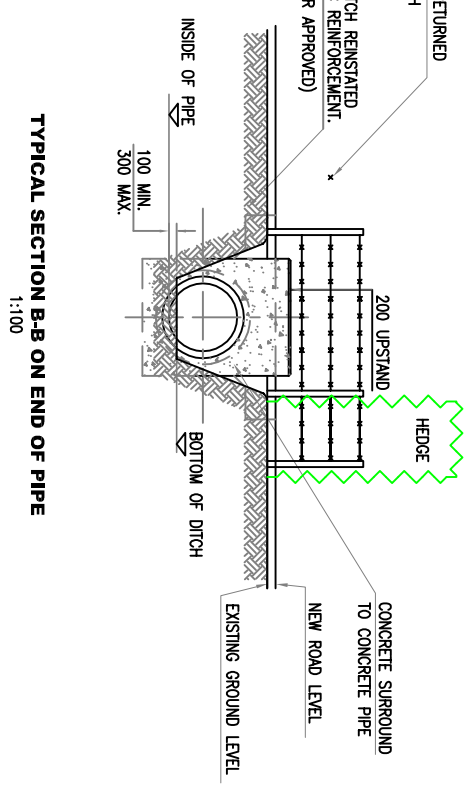
PLAN ON DITCH CROSSING RX5
1:100



SECTION A-A
1:100

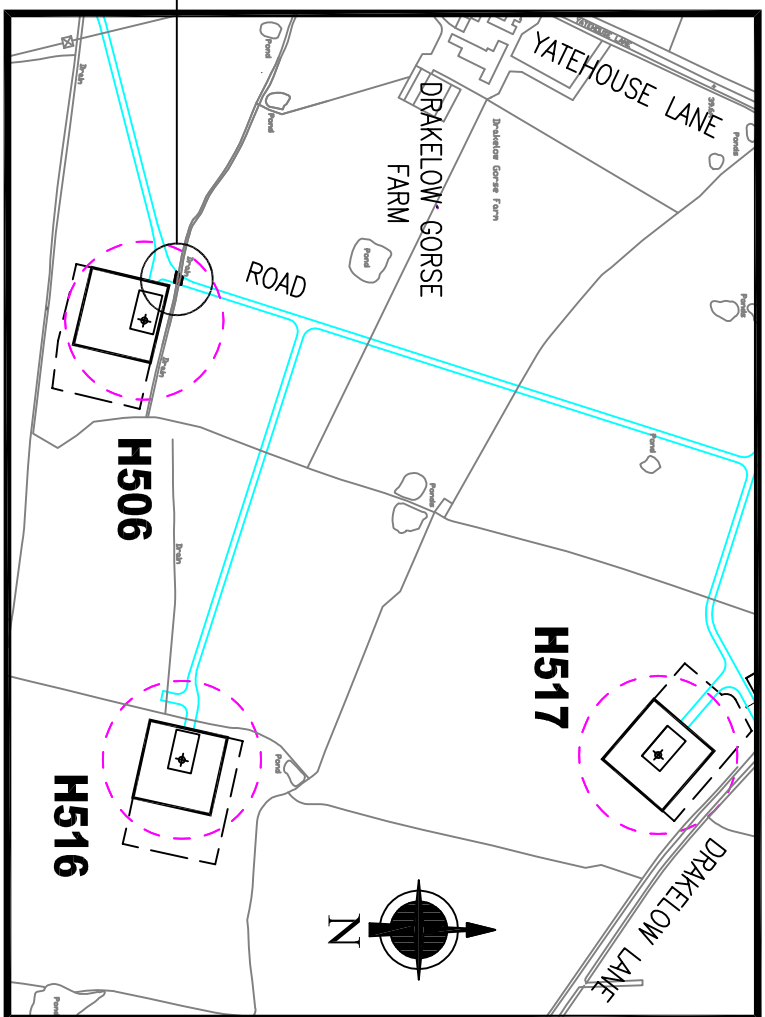


SECTION C-C
1:100



TYPICAL SECTION B-B ON END OF PIPE
1:100

THIS DRAWING
ROAD CROSSING RX5
TO EXISTING DITCH
E 371274.923
N 369308.870



LOCATION PLAN
NOT TO SCALE

GENERAL NOTES
1. ALL DIMENSIONS ARE IN MILLIMETRES.
2. ALL LEVELS ARE IN METRES, A.O.D.

REFERENCE DRAWINGS
13-03-01-HQ/24/301. HOLFORD BRINEFIELD - KSP
KEY PLAN FOR INFRASTRUCTURE CROSSINGS

HOLFORD BRINEFIELD - KSP - 4 METRE ROAD CROSSING RX5 TO EXISTING DITCH

TITLE		HOLFORD BRINEFIELD - KSP - 4 METRE ROAD CROSSING RX5 TO EXISTING DITCH		SCALE		1:100	
REV	DATE	BY	CHKD	DATE	EXT.	APPROVED BY	DATE
B1	26.10.2015	DP	AC	2015		Alan Cooper	02.02.2015
FDR DCD APPLICATION		THIS DRAWING HAS BEEN GENERATED USING CAD. ALL DIMENSIONS AND LEVELS ARE IN METRES. ANY CHANGES SHOULD BE MADE TO THE DRAWING EXCEPT BY UPDATING THE CAD MASTER IMAGE. IF ANY DOUBT EXISTS PLEASE CONTACT HOLFORD DRAWING OFFICE FOR CONFIRMATION OF CURRENT DRAWING STATUS.		KEUPER GAS STORAGE LIMITED		BRINE AND WATER SECTION, NORTHWICH SITES, HOLFORD BRINEFIELD, LOSTOCK GRALAM, NORTHWICH, CHESHIRE, CW9 7TD.	
ALTERATIONS		THIS DRAWING IS PRIVATE AND CONFIDENTIAL, AND IS THE PROPERTY OF KEUPER GAS STORAGE LIMITED. IT MUST NOT BE COPIED OR LENT WITHOUT THE CONSENT OF KEUPER GAS STORAGE LIMITED. BRINE AND WATER SECTION AND MUST BE RETURNED WITH TENDER AND / OR ON COMPLETION OF ORDER.		WARNING		THIS DRAWING HAS BEEN GENERATED USING CAD. ALL DIMENSIONS AND LEVELS ARE IN METRES. ANY CHANGES SHOULD BE MADE TO THE DRAWING EXCEPT BY UPDATING THE CAD MASTER IMAGE. IF ANY DOUBT EXISTS PLEASE CONTACT HOLFORD DRAWING OFFICE FOR CONFIRMATION OF CURRENT DRAWING STATUS.	
PROJECT No.		EN030002		DRAWING No.		13-03-01/HOL/24/306	
SIZE		A3		REV		B1	