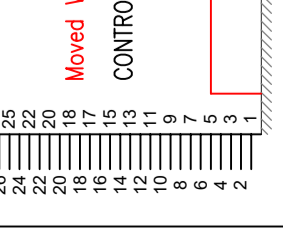


HEIGHT. SCALE:METRES

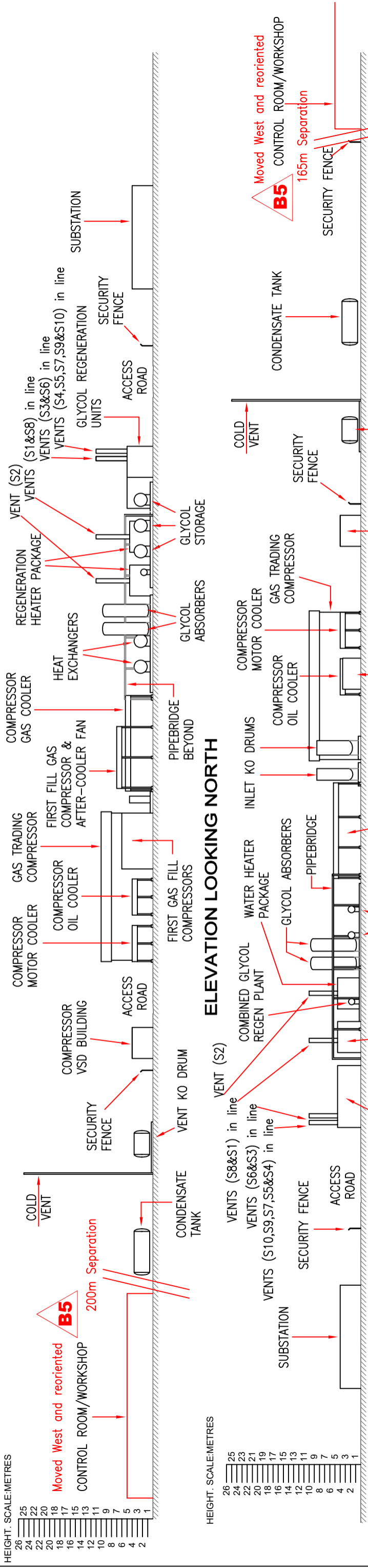


Moved West and reoriented

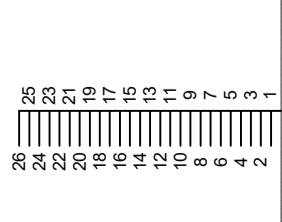
CONTROL ROOM/WORKSHOP



200m Separation

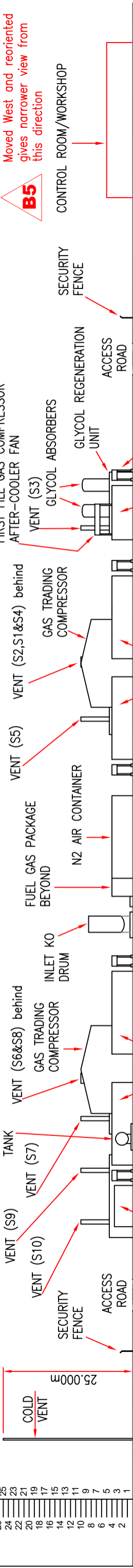


HEIGHT. SCALE:METRES

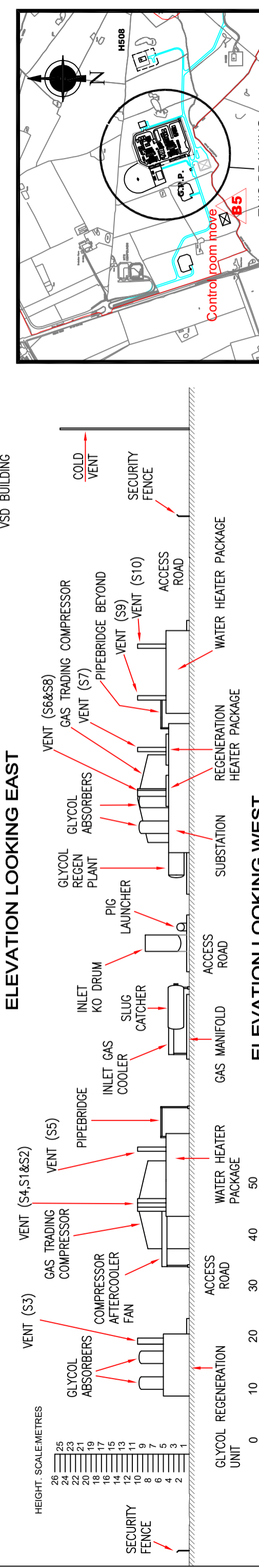


25.0003

COLD VENT



ELEVATION LOOKING EAST



Scale in Metres 1:750

B5	Submission for 2022 Amendment Order	08.06.2022	RDS
B4	DRAWING UPDATED LABEL VENTS	01.06.2016	RDS



2022 AMENDMENTS (Drawing revision B5)

HOLFORD BRINEFIELD - KGSP - ELEVATIONS ON GAS PROCESSING PLANT (G.P.P.)

KEY PLAN (NOT TO SCALE)

WARNING
THIS DRAWING HAS BEEN GENERATED USING C.A.D. SOFTWARE. UNLESS SPECIFICALLY STATED OTHERWISE, UNLESS OTHERWISE STATED, THIS DRAWING IS NOT TO BE USED FOR CONSTRUCTION OR FOR ANY OTHER PURPOSES WITHOUT THE WRITTEN CONSENT OF KEUPER GAS STORAGE LIMITED. ANY UNAUTHORIZED REVISIONS TO THIS DRAWING WILL BE AT THE USER'S RISK. IF ANY DOUBT EXISTS PLEASE CONTACT THE DRAWING OFFICE FOR CONFIRMATION OF CURRENT DRAWING STATUS.

KEUPER GAS STORAGE LIMITED
BRINE AND WATER SECTION, NORTHWICH SITES,
HOLFORD BRINEFIELD, LOSTOCK GRALAM,
NORTHWICH, CHESHIRE, CW9 7TD.

B3	DRAWING UPDATED INDIVIDUAL VENTS ONLY	19.04.2016	RDS
B2	DRAWING UPDATED SINCE SUBMISSION	22.01.2016	RDS
B1	FOR DCO APPLICATION	26.10.2015	RDS
REV	ALTERATIONS		

DATE	APPROVED BY	ACC. NO.	PROJECT NO.	SCALE
02.02.2015	Alan Cooper			1:750
DATE	CHECKED BY	WORKS	PLANT REF	APPLICATION NUMBER
02.02.2015	RDS			EN030002
DATE	ISSUED BY	GEOS. AREA(S)	DRAWING NO.	REV
			13-03-01/HOL/24/270	B5